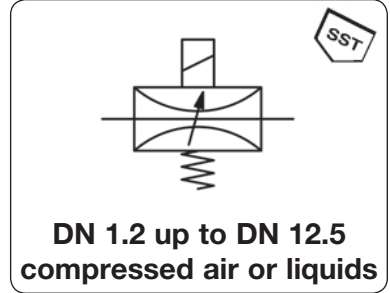


<b>Description</b>	The proportional flow valve can be controlled either by 24 V DC or optionally by a plug amplifier with switchable signals.		
<b>Media</b>	50 µm filtered compressed air, vacuum, non-corrosive gases or liquids		
<b>Plug amplifier</b>	Conversion of the analogue signal into a pulse-wide modulated current.		
<b>Electrical connector</b>	Supply voltage: 24 V DC, max. 1.1 A	Adjustment:	zero point and range
<b>Protection class</b>	Switchable signal: 0...10 V, 0...20 mA, 4...20 mA	Time ramp:	0.1 to 3 s selectable
<b>Temperature range</b>	Close function: < 2% of max. signal	Hum frequency:	40 to 700 Hz selectable
	plug, 3-pin, with coupling socket (Pg 9P or Pg 11P)	<b>Operating pressure</b>	see chart, max. 12 bar
	IP 65 with coupling socket	<b>Mounting position</b>	any
	-10 °C to 90 °C / 14 °F to 194 °F	at G: 0 °C to 50 °C / 32 °F to 122 °F	
<b>Viscosity max.</b>		<b>PV202, G<sup>1</sup>/<sub>2</sub></b>	<b>PV202, G<sup>3</sup>/<sub>4</sub> / G<sup>1</sup>/<sub>2</sub></b>
<b>Power consumption</b>	100...450 mA, 8.6 W	21 mm <sup>2</sup> /s	40 mm <sup>2</sup> /s
<b>Hysteresis / Sensitivity</b>	< 5% FS / < 1% FS	100...500 mA, 11 W	100...500 mA, 11 W
<b>Repeatability</b>	< 1% FS	< 5% FS / < 2% FS	< 7.5% FS / < 2% FS
<b>Body / Inner valve</b>	brass/SST, PTFE, FKM	< 3% FS	< 3% FS
	brass/SST, PTFE, FKM	brass/SST, PTFE, FKM	brass/SST, PTFE, NBR/Buna-N



Dimensions			Media	Nominal size	K <sub>v</sub> -value	Flow rate	Supply max.	Connection thread	Order number
A	B	C	A: air W: water	DN	(m <sup>3</sup> /h)	l/min*1	bar	G	

Proportional flow valve									
24 V DC, direct control, without amplifier, with coupling socket, made of brass									
PV202 / PV203									
25	78	8	A	1.2	0.05	0... 70	8.0	G <sup>1</sup> / <sub>2</sub>	PV202-1-12
				1.6	0.07	0...110	6.0		PV202-1-16
				2.4	0.13	0... 70	4.0		PV202-1-24
				3.2	0.18	0...105	2.5		PV202-1-32
40	95	20	A/W*3	1.2	0.05	0... 60	16	G <sup>1</sup> / <sub>4</sub>	PV202-2-12
				2.4	0.12	0...110	8.0		PV202-2-24
				3.2	0.24	0...170	4.0		PV202-2-32
				4.0	0.42	0...280	2.5		PV202-2-40
				5.6	0.72	0...310	1.4		PV202-2-56
				7.1	0.90	0...390	1.0		PV202-2-71
48	97	14	A/W*3	3.2	0.24	0...190	4.0	G <sup>3</sup> / <sub>8</sub>	PV202-3-32
				4.0	0.42	0...300	2.5		PV202-3-40
				5.6	0.72	0...330	1.4		PV202-3-56
				7.1	0.90	0...420	1.0		PV202-3-71
52	105	14	W	12.5	2.10	0... 35*2	10	G <sup>3</sup> / <sub>8</sub>	PV203-3-125W
				12.5	2.10	0... 37*2	10	G <sup>1</sup> / <sub>2</sub>	PV203-4-125W



**Special options, add the appropriate letter**

for water or oil stainless steel body 12 V DC

for PV202, G<sup>1</sup>/<sub>4</sub> and G<sup>3</sup>/<sub>8</sub>

NPT connection thread, FKM elastomere voltage signal

for PV202, G<sup>1</sup>/<sub>4</sub> and G<sup>3</sup>/<sub>8</sub>

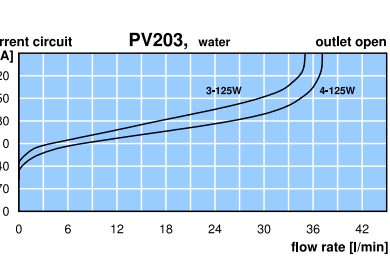
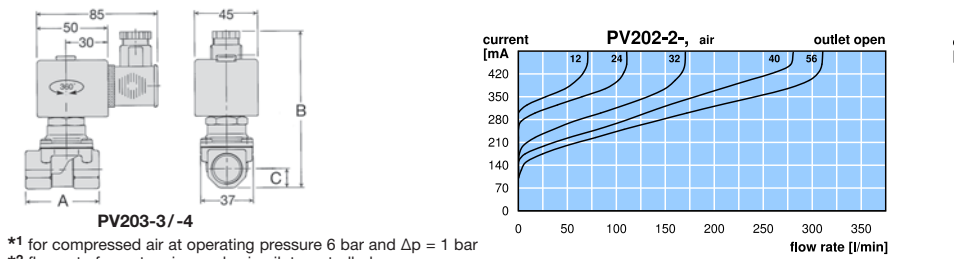
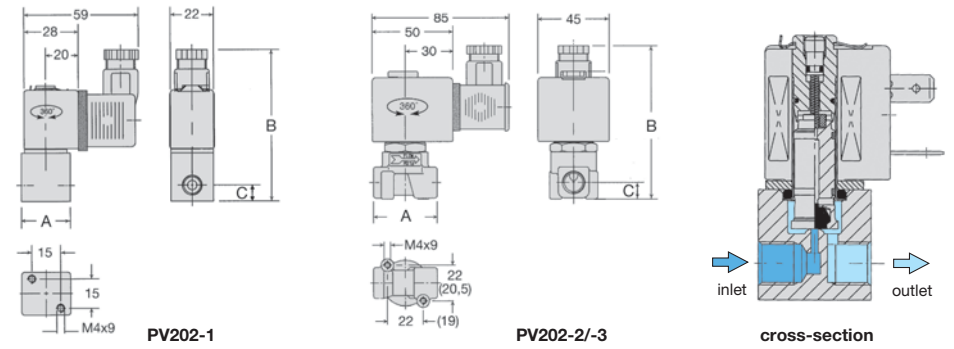
PV202-...W  
PV202-...S  
PV20-...12V

**Accessories**

plug amplifier 24 V DC, switchable 0-10 V, 0-20 mA, 4-20 mA for PV202, G<sup>1</sup>/<sub>2</sub> for all others

plug amplifier 12 V DC, switchable 0-10 V, 0-20 mA, 4-20 mA für PV202, G<sup>3</sup>/<sub>8</sub> for all others

PVY-03  
PVY-04  
PVY-08  
PVY-09



\*1 for compressed air at operating pressure 6 bar and Δp = 1 bar  
\*2 flow rate for water since valve is pilot-controlled  
\*3 for liquids add W to order number of type PV202-2/-3